



TECHNIA ENGINEERING CENTRE OF EXCELLENCE

Our dedicated team of design engineers offer expert support, however you need it. TECHNIA ECoE spans across 13 countries, with specialist experience in Creative Problem Solving, Detail Design, Manufacturing Drawings, Product Development, and Advanced Engineering. Let us help you solve your design challenges!



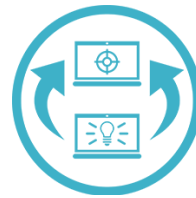
TURNKEY SOLUTIONS



ENGINEERING CONSULTANCY



EXPAND YOUR TEAM



FLEXIBILITY & CONVENIENCE



TRAINING COURSES

CONCEPT

Idea Review

Specification

Research

Networking

OUTLINE

Creative Problem Solving

Engineering Fundamentals

Conceptual Design

Materials & Processing

Prototyping & Iteration

Product Development

DETAIL

Detail Design

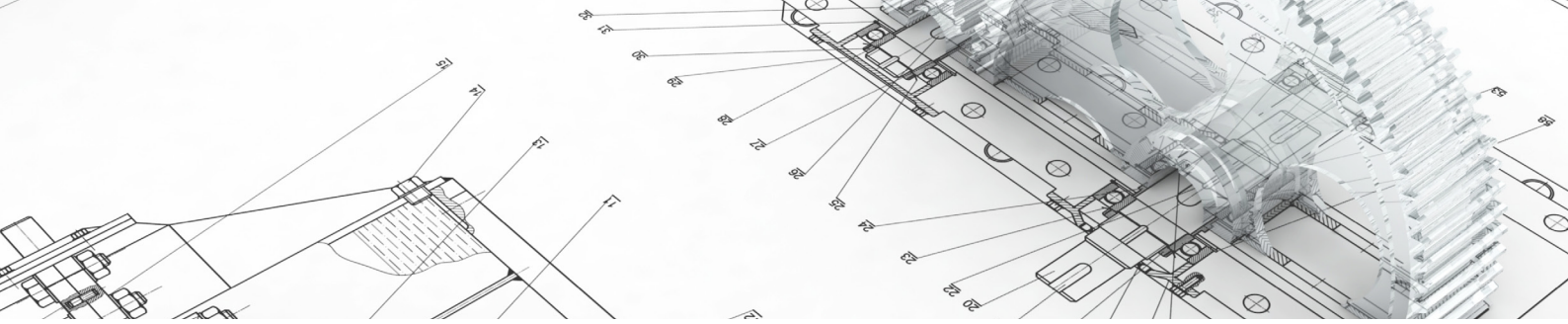
Manufacturing Drawings

Process Methodology

Advanced Engineering

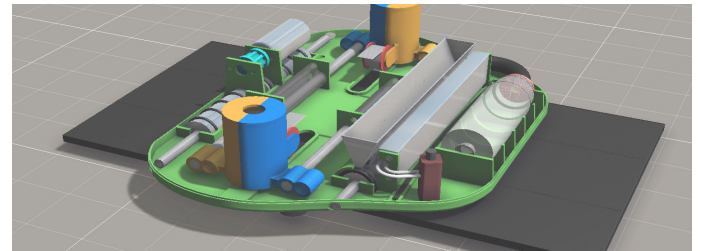
Value Engineering

Automated Intelligent Design



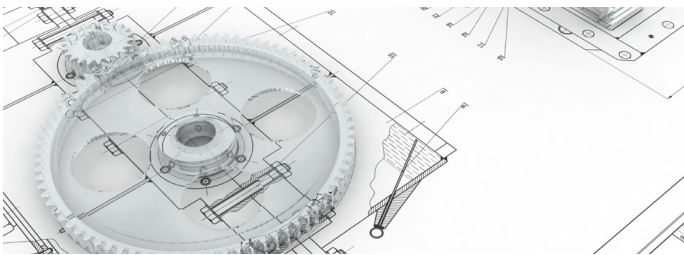
IDEATION AND FORMATION

Our Engineering Centre of Excellence provides a free initial Design Review meeting to see how best to take your project forward and access whether we're able to assist along the way. This stage is used to discover what initial Research is needed to fully define a Specification against which the design can develop while meeting key criteria.



DESIGN OUTLINE

At this stage of your project, you're looking to get a grasp of the potential solutions that will define your project. We offer a method of Creative Problem Solving based on the understanding of Engineering Fundamentals and first principles.



DESIGN DEFINITION

Our engineers will assist in moving your concepts through to Detail Design. Our team are continually developing knowledge and best practices from a variety of industry sectors. Process Methodology is defined using these foundations and we are able to apply this to all stages of our projects to ensure they meet specifications.



PROJECT ADVANCEMENT

To make sure your project meets its specification, it is typical to go through a stage for Prototyping and Iteration. This is where we can use our experience and varied skill set to help recommend Product Development routes, as well as assist with Materials and Process selection to ensure the project achieves its best possible functional and budgetary targets.



ADDING VALUE

With Advanced Engineering know-how, we offer Automated Intelligent Design systems which reduce design and analysis time. We may also conduct Value Engineering to reduce costs of waste. We also provide universal Training Courses, such as Geometric Dimensioning and Tolerancing, to help your teams develop their skills.

www.technia.co.uk/engineering

tel: +44(0)1908 776776

email: info.uk@technia.com

EXPERIENCE MATTERS

 **ENGINEERING**
CENTRE OF EXCELLENCE



WHY CHOOSE TECHNIA ENGINEERING CENTRE OF EXCELLENCE?

	TECHNIA ENGINEERS	CONTRACTORS
DOWNTIME	Our engineers are permanently employed at TECHNIA, which means searching for the right engineer is done for you. We have a broad range of skills in our department and will supply the most suited candidate. In addition all our engineers are trained on the software you use, resulting in minimal down time.	Whether it's time spent looking for the right candidate or teaching them how to use the software. This downtime is often never accounted for but can certainly add up.
OUTPUT	Minimal downtime means our engineers usually out perform contractors in terms of work output, producing results from the first day.	Learning new software takes time. Contracts without the relevant CAD experience will often spend up to two weeks finding their way around.
LICENSING	All our engineers come with their own license avoiding the all too often headache of not owning enough seats.	Usually do not own a license.
IT EQUIPMENT	We supply all their necessary IT equipment.	Often require you to provide equipment.
SUPPORT	Our engineers are part of a larger organisation. They can call on help from other engineers within their department or software experts from others, ensuring we deliver. This means you not only acquire an engineer but a whole support network.	Are usually reliant on you for support.
INDUSTRY EXPERIENCE	We have experience across many different industry sectors. This allows us to draw best practice from each industry we have worked in and transfer knowledge across the team.	Contractors tend to specialise in one area.

www.technia.co.uk/engineering

tel: +44(0)1908 776776

email: info.uk@technia.com

EXPERIENCE MATTERS



ENGINEERING
CENTRE OF EXCELLENCE